

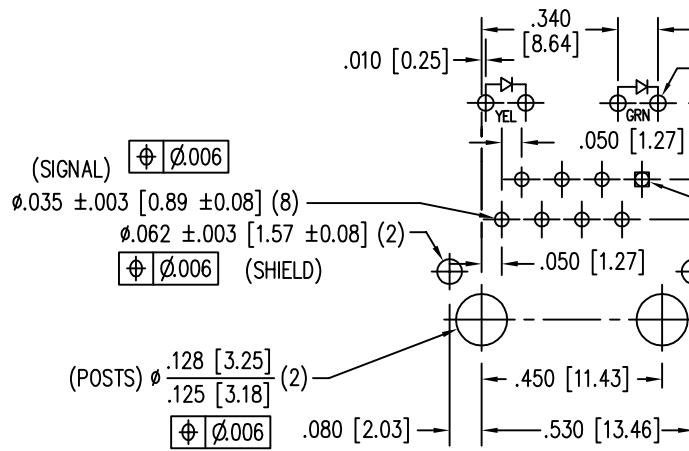
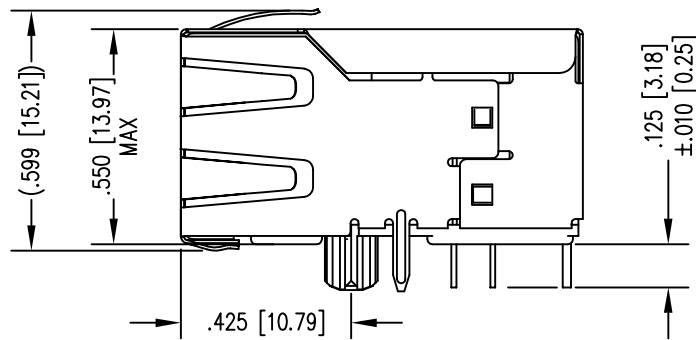
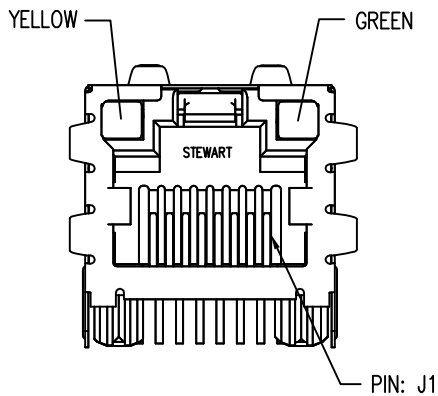
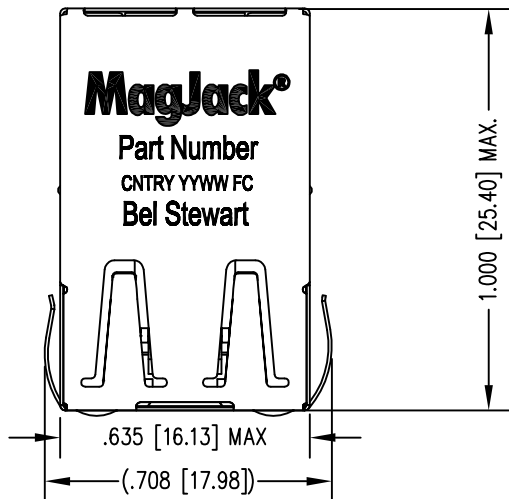
NOTE:
PINS NOT ELECTRICAL

ELECTRICAL SPECIFICATIONS:

- 1.0 INDUCTANCE: (P6-J6) : (P1-J1) : 65 uH TYP @.01V, 10KHz
- 2.0 DC RESISTANCE: P6-J6 : .5 OHM MAX
 P3-J3 : .5 OHM MAX
 P2-J2 : .5 OHM MAX
 P1-J1 : .5 OHM MAX
- 3.0 COMMON MODE : CMA (-dB)

FREQUENCY (MHz)	TYPICAL	MIN
1	8	5
5	17	15
20	23	15
70	25	20
200	22	17
500	11	6

Bel Stewart C
 11118 Susquehanna
 Glen Rock, Pa 1732
 717.234.7512



P.C.B. RECOMMENDED HOLE L
SEEN FROM COMPONENT S

ALL CENTERLINE DIMENSIONS AP

NOTES:

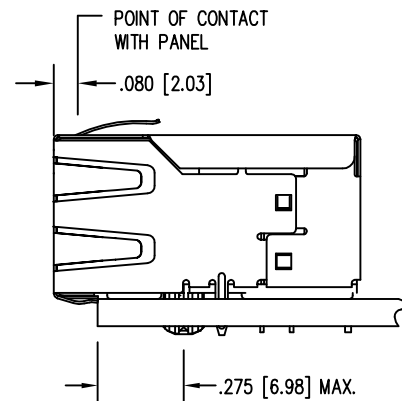
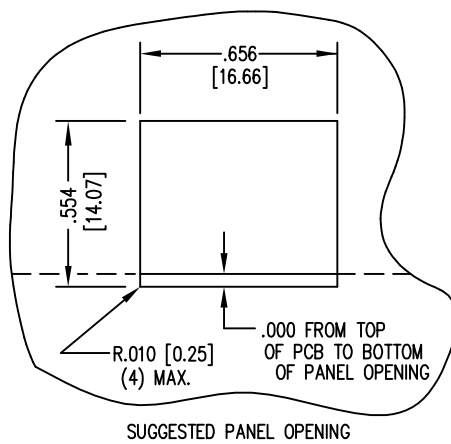
1. CONNECTOR MATERIALS:
HOUSING: THERMOPLASTIC
CONTACT/SHIELD: COPPER
SHIELD PLATING: NICKEL
CONTACT PLATING: SILVER
2. PIN NOT ELECTRICAL
SEE ELECTRICAL DRAWING
3. TOLERANCES COMPLIANT WITH ASME Y14.5
4. ALL TOLERANCES NOMINAL UNLESS OTHERWISE SPECIFIED
5. WAVE SOLDER COMPATIBLE
HIGH TEMPERATURE

LED SPECIFICATION			
STANDARD LED	WAVELENGTH	* Forward V (MAX)	(TYP)
GREEN	565 nm	2.5 V	2.1 V
YELLOW	590 nm	2.5 V	2.1 V

*WITH A FORWARD CURRENT OF 20 mA

THIS DRAWING AND THE SUBJECT MATTER SHOWN THEREON ARE CONFIDENTIAL AND PROPERTY OF BEL STEWART CONNECTOR AND SHALL NOT BE REPRODUCED, COPIED, OR USED IN ANY MANNER WITHOUT PRIOR WRITTEN CONTENT OF BEL STEWART CONNECTOR. THE SUBJECT MATTER MAY BE PATENTED OR A PATENT MAY BE PENDING.

Bel Stewart
11118 Susquehanna
Glen Rock, Pa 1732
717.234.7512



1. THE SUGGESTED... TO GIVE THE US... REASONABLE JA... YET MAINTAIN R... CAPABILITY.
2. ALL TOLERANCE... TO BE ± 0.005 [0.127] MAX.